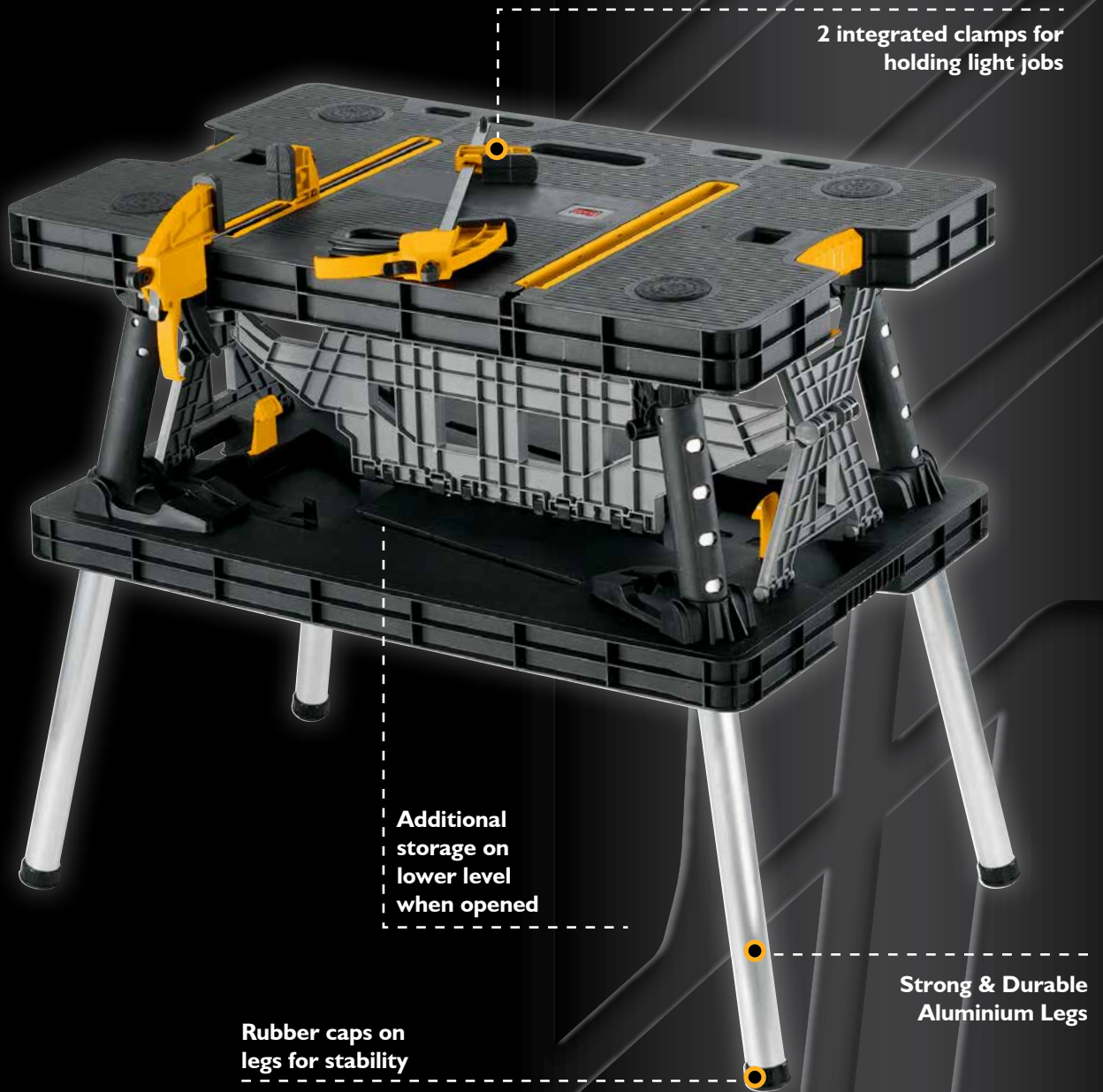


Foldable **WORKSTATION**

Unique quick opening workstation that has a load bearing capacity of 450 kg



**15 SEC
SET UP TIME**





FOLDABLE WORKSTATION

- Strong polypropylene dual-level workstation with aluminium legs
- Lightweight, sturdy, stable & portable workstation
- Unique, patented quick opening system:
Set up time - 15 seconds
- Includes two 12" (300 mm) clamps



ORD. #	SIZE	
22025084	Folded: 34" × 22" × 4.5" Open: 34" × 22" × 30"	Folded: 850 × 550 × 112 mm Open: 850 × 550 × 755 mm

MAGNETIC PARTS TRAY

- Stainless steel tray with powerful magnets on base for affixing onto metal objects such as vehicle bodies, toolboxes etc.
- Magnets are rubber coated in order to avoid scratches
- Magnetism transfers to the inner surface of tray to hold small metal parts, tools, nuts, bolts, etc. while working ensuring that parts are not lost while working



ORD. #	NO. OF BASE MAGNETS	MAGNETIC PULL	SIZE	
22027637	2	2 kg	9.5" × 5.5" × 1.5"	240 × 140 × 40 mm
◆ 2089316	3	4 kg	14.2" × 6.2" × 1.5"	360 × 158 × 40 mm

◆ New